



LED MCAD

Description

The small size of the LED MCAD makes it an ideal choice for size restricted architectural applications. The LED MCAD Series can be the illumination solution in commercial, industrial, retail and residential applications. Fixtures can be used in storage/utility areas, coves, display cases, shops, task and general area lighting.

Specification

Item No.	Input Power	Luminous	Efficacy	Input Voltage	Dimming Style
GLMD	24	2530	114	120-277	0-10V
GLMD	36	3750	115	120-277	0-10V

PERFORMANCE SUMMARY

Efficacy: ≥ 110 LPW

Chip: LGIT 5630HE

CRI: Ra > 80

CCT Options: 3000K 3500K 4000K 5000K

Driver: Espen Dimmable LED power supplies

THD: < 20%

PF: > 0.9

The Espen Driver ensures steady performance and long lifetime

Driver efficiency > 85%.

Temperature Limited: The product has applied for a Type TL LED driver

Standard Lifetime: Designed minimum 50,000 Hours

Mounting: Fixture may be surface, pendant, or stem mounted

Standard Warranty: 5 Years

The Dimming type is continuous, The product can dim to 10%

Suitable for damp location

Order Information

Example: GLMD

GLMD	4FT	HL	DM	4000K
Series	Size	Lumen package	Dimming	CCT
LED Strip	4FT	LW - 24 Wattage HL - 36 Wattage	0-10V	3000K 3500K 4000K 5000K

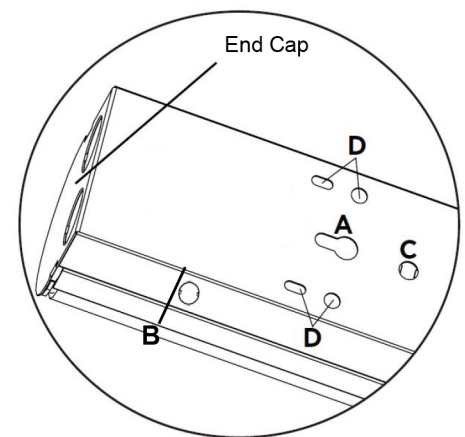


Dimension

Item NO:	Lenth	Width	Depth
GLMD	48"	3.35"	3.56"
GLMD	48"	3.35"	3.56"

Mounting Options

- A-** Keyhole Slots for Surface Mounting
- B-** Wiring Knockouts
- C-** T-Bar Clip Mounting Hole
- D-** V-Hook Openings for Chain Mounting



Wiring Diagram

